

SPOTTER®



Its not just any pendant; its a resilient, hardened rubber station – seasoned with over 30 years of industrial use and innovation.

Put Your Crane on Target with a SPOTTER Pendant Station!

TABLE OF CONTENTS

SPOTTER MINI SERIES PENDANTS AND PARTS	PAGES 3-5
SPOTTER SERIES C PENDANTS AND PARTS	PAGES 6-11
CABLE AND CORD GRIPS	PAGE 12

PLEASE CALL FOR PRICING ON:

PENDANTS WITH HERMETICALLY SEALED CONTACTS

ANY SPECIAL APPLICATIONS

PENDANT STATIONS WITH OIL TIGHT INSERTS

DUAL SIDE BY SIDE PENDANTS SOLUTIONS

Spotter Mini Series Pendants

All Pendants are priced with On/ Off Toggle Switch. See Below for Adders for Mushroom On/Off and other options

Eight Button	Single Speed \$380.00
	Two Speed \$500.00
Six Button	Single Speed \$330.00
	Two Speed \$450.00
Four Button	Single Speed \$230.00
	Two Speed \$310.00






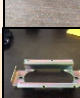



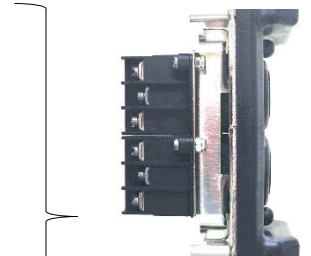
Build price for a mix - of single and two speed motions - by reducing two speed price by \$40.00 for each single speed motion.

Enclosures Only	
8MX-00	\$180.00
6MX-00	\$165.00
4MX-00	\$153.00

Cord Grips are NOT included
See page 12

Mini Series Accessories/Spares – Many other options also available.

Part#	Description	Adder \$	Individual \$	
22-EMPP-MAINT	Maintained Mushroom	\$14.00	\$42.00	
22-SEL-2POS	2 Position Selector 1 N.O.	\$10.00	\$45.00	
22-SEL-3POS	3 Position Selector 2 N.C.	\$16.00	\$48.00	
22-CB-XEN	2 Speed Contact Block	N/A	\$50.00	
22-CB-XENSS	Single Speed Contact Block	N/A	\$45.00	
22-OPER-XENBLK	Operator for Contact Block	N/A	\$5.00	
MTG-XEN	Mounting Bracket for Pair of Contacts	N/A	\$12.00	



Operator – Contact Block Assembly
Cross Section

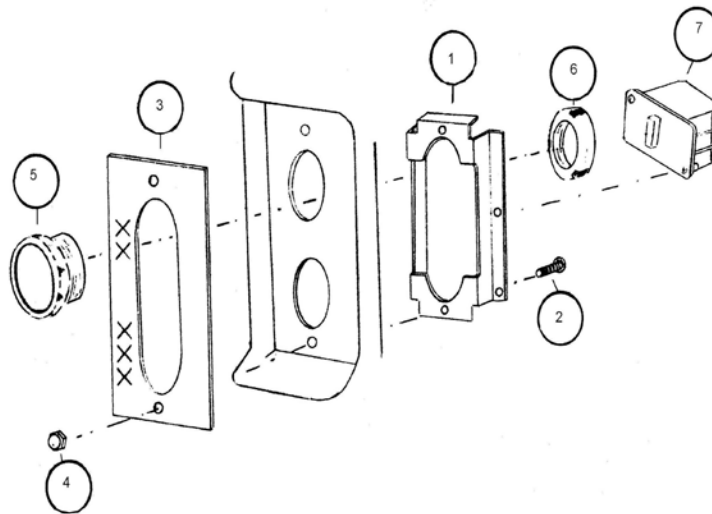
Front Cover Assy. Consists of: Top Adapter, Switch Plate, and Rubber Front.

C-101-4mini	4 Button Front Assy.	\$110.00
C-101-6mini	6 Button Front Assy.	\$120.00
C-101-8mini	8 Button Front Assy.	\$130.00
C-103-4mini	4 Button Back Only	\$48.00
C-103-6mini	6 Button Back Only	\$50.00
C-103-8mini	8 Button Back Only	\$55.00

Standard Mini Series Nameplates

C-111-10mini	Hoist Up Dwn	\$5.00
C-111-11mini	Trolley Fwd Rev	\$5.00
C-111-12mini	Trolley North South	\$5.00
C-111-13mini	Trolley East West	\$5.00
C-111-14mini	Trolley Left Right	\$5.00
C-111-15mini	Bride Fwd Rev	\$5.00
C-111-16mini	Bridge North South	\$5.00
C-111-17mini	Bridge East West	\$5.00
C-111-19mini	Power On Off	\$5.00
C-111-20mini	Special Nameplate Specify	\$10.00
C-118-1mini	Toggle On Off	\$3.00
C-118-3mini	Toggle Closing Plate	\$3.00
Toggle T-1	Toggle Switch	\$8.95

Spotter Mini Series Single or Two Speed Switch Assembly



Ref. #	Part #	Description	Qty per Motion	\$
1	MTG-XEN	Contact Mounting Bracket	1	\$12.00
2	MINI-131	Nameplate Screw	2	\$0.05
3	C-111-XXmini	Nameplate	1	\$5.00
4	NUT-ACORN632	Acorn Nut	2	\$0.10
5	22-Oper-XENBLK	Operator	2	\$5.00
6	Included with 5	Operator Nut	2	N/A
7	22-CB-XEN	2 Speed Contact	2	\$50.00
7	22-CB-XENSS	1 Speed Contact	2	\$45.00

Electrical Ratings: Nema A600-Q600

Two Speed Accumulating Contacts. Electrical Interlocking via NC Contacts.

Two Speed Contacts have distinct Pressure Speed Points.

This is the Standard Switch Supplied in the Spotter Mini Series

Spotter Series C Pendants

Accessories Not Included in Price. See below for Adders. Mushrooms, Selectors, etc.

Eight Button	Single Speed \$325.00
	Two Speed \$685.00
Six Button	Single Speed \$300.00
	Two Speed \$660.00
Four Button	Single Speed \$225.00
	Two Speed \$465.00

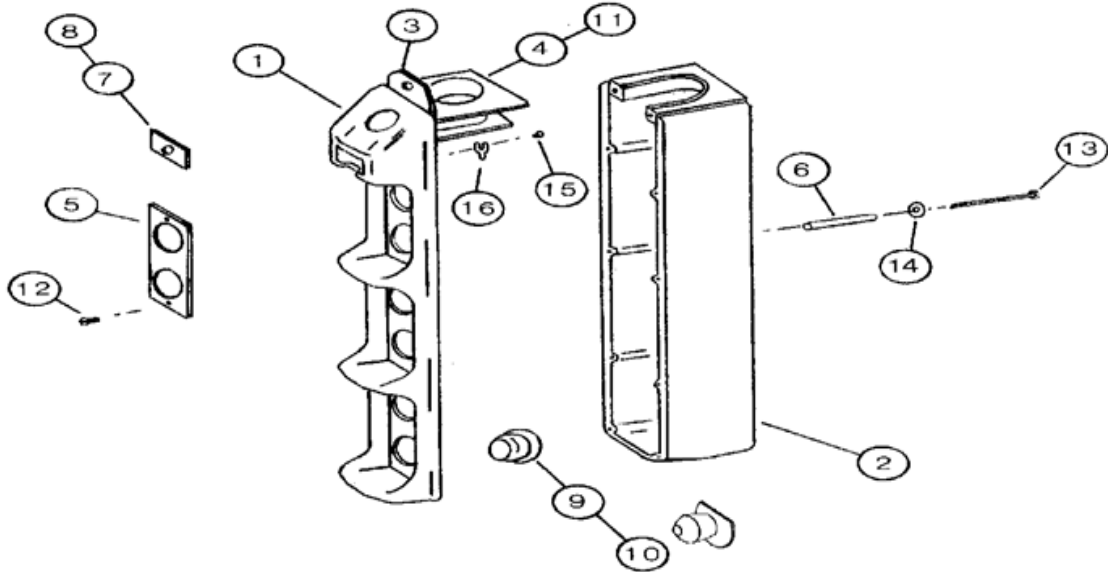


Adder To Single Speed Price for a Pair of Five Speed Switches

SW-151-5B 3-5 Speed AC	\$75.00
SW-5 Heavy Duty AC/DC 3-5 Speed Copper and Silver Plated Switch	\$415.00

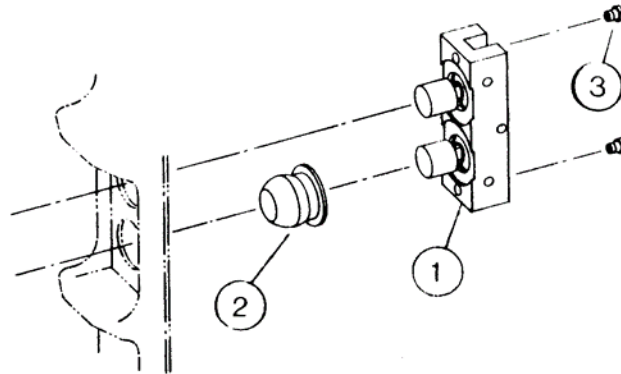
Adder Included in Above Two Speed Price is \$120.00 per Pair for an SW-2 Switch that is Cumulative or Make Before Break

Part #	Description	Adder Price	Indv. Price
30-Sel-2Pos	2 Position Selector 1 N.O.	\$57.00	\$60.00
30-Sel-3Pos	3 Position Selector 2 N.C.	\$69.00	\$75.00
30-EMPP-Maint	Maintained Mushroom	\$108.00	\$115.00
BC-101	Black Boot for SW-1 & SW2	N/A	\$3.50
BC-101G	Green Boot	N/A	\$3.50
BC-101R	Red Boot	N/A	\$3.50
BC-102	Boot for 3-5 Speed Switch	N/A	\$4.00

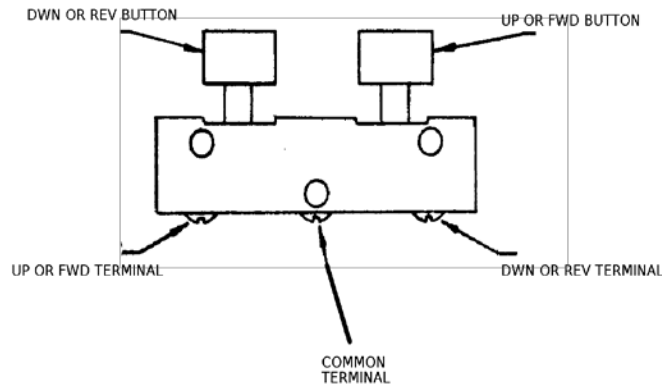


REF NO.	PART NO.	DESCRIPTION	QUANTITY PER ENCLOSURE			PRICE
			4	6	8	
1,3,4	C-101-4	FRONT COVER ASSY. 4-BUTTON	1			\$125.00
	C-101-6	FRONT COVER ASSY. 6-BUTTON		1		\$135.00
	C-101-8	FRONT COVER ASSY. 8-BUTTON			1	\$145.00
2	C-103-4	FOUR BUTTON BACK	1			\$43.00
2	C-103-6	SIX BUTTON BACK		1		\$52.00
2	C-103-8	EIGHT BUTTON BACK			1	\$60.00
4	C-107	TOP FITTING (1" FEMALE PIPE THD)	1	1	1	N/A
		NAMEPLATES				
5	C-111-10	NAME PLATE HOIST UP DWN				\$5.00
	C-111-11	NAME PLATE TROLLEY FWD REV				\$5.00
	C-111-12	NAME PLATE TROLLEY NORTH SOUTH				\$5.00
	C-111-13	NAME PLATE TROLLEY EAST WEST				\$5.00
	C-111-14	NAME PLATE TROLLEY LEFT RIGHT				\$5.00
	C-111-15	NAME PLATE BRIDGE FWD REV				\$5.00
	C-111-16	NAME PLATE BRIDGE NORTH SOUTH				\$5.00
	C-111-17	NAME PLATE BRIDGE EAST WEST				\$5.00
	C-111-18	NAME PLATE START STOP				\$5.00
	C-111-19	NAME PLATE ON-OFF				\$5.00
	C-111-20	NAME PLATE BLANK (NO LEGEND)				\$5.00
	C-111-21	SPECIFY LEGEND 20 SPACES MAXIMUM				\$10.00
6	C-114	STAND OFF TUBE	8	10	12	\$0.40
7	C-118-1	TOGGLE NAME PLATE OFF-ON				\$3.00
8	C-118-3	TOGGLE CLOSING PLATE W/ATTACH HARDWARE				\$3.00
9	BC-101	BOOT FOR SW-1 & SW-2 SWITCHES				\$3.50
10	BC-102	BOOT FOR SW-5 SWITCH				\$4.00
11	C-130	C-107 ATTACH SCREW	2	2	2	\$0.10
12	C-131	C-111 ATTACH SCREW	4	6	8	\$0.10
13	C-132	C-103 ATTACH SCREW	8	10	12	\$0.10
14	C-133	FLAT WASHER #10	8	10	12	\$0.05
15	C-134	GROUND ATTACH SCREW	1	1	1	\$0.05
16	C-135	GROUND WIRE TERMINAL	1	1	1	\$0.15

SPOTTER C SERIES SINGLE SPEED SWITCH



REF NO.	PART NO.	DESCRIPTION	QTY PER UNIT	UNIT PRICE
1	SW-1	SINGLE SPEED INSERT	1	\$25.00
2	BC-101	PROTECTIVE BOOT	2	\$3.50
3	SW-20	MOUNTING SCREW	2	\$2.00

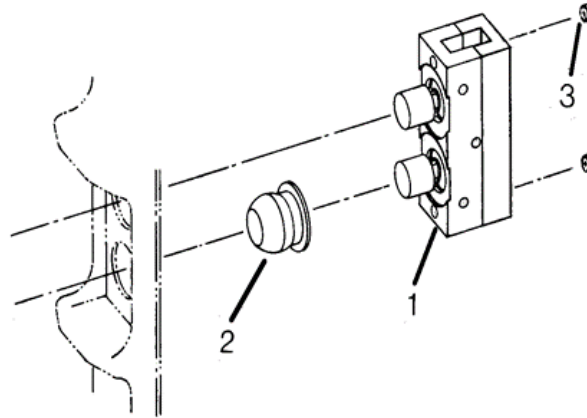


IMPORTANT: NOTE THAT BUTTON CONTROLS CONTACT AT OPPOSITE END OF SWITCH.
BE SURE HOIST CONNECTIONS ARE CORRECT.

Rated 120V - 10A AC.

Stainless steel contacts, high-density PVC body and push buttons.
Design provides positive interlocking without the necessity for jumper wires.

SPOTTER C SERIES TWO SPEED SWITCH



REF NO.	PART NO.	DESCRIPTION	QTY PER UNIT	PRICE EA.
1	SW-2	TWO SPEED INSERT	1	\$150.00
2	BC-101	PROTECTIVE BOOT	2	\$3.50
3	SW-20	MOUNTING SCREW	2	\$2.00

RATED 120V - 10 A AC.

Similar to single speed switch, but with added two speed contacts.
Switch operation is either "break-before-make" or "accumulating" second speed control.

CONTACT "L" BREAKS BEFORE "H" MAKES.

CONTACTS "1" OR "2" AND "H" ACCUMULATE.

INSTRUCTIONS:

UNITS WIRED FOR ACCUMULATING CONTACTS

CONNECT FWD (UP) TO THE TERMINAL MARKED "1"

CONNECT REV (DWN) TO THE TERMINAL MARKED "2"

CONNECT SECOND SPEED WIRE TO TERMINAL MARKED "H"

UNITS WIRED FOR "BREAK BEFORE MAKE"

CONNECT FWD (UP) TO THE TERMINAL MARKED "1"

CONNECT REV (DWN) TO THE TERMINAL MARKED "2"

CONNECT LOW SPEED WIRE TO TERMINAL MARKED "L"

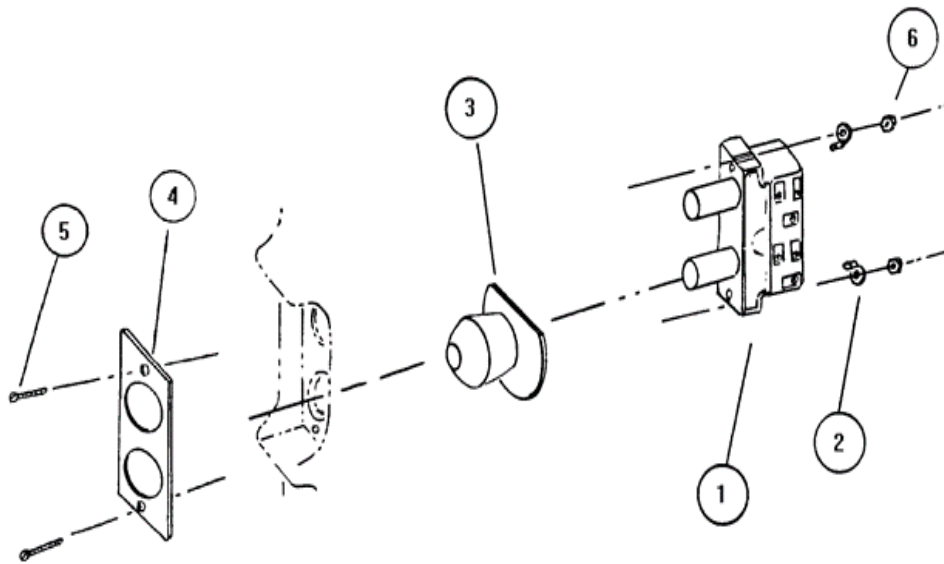
CONNECT HIGH SPEED WIRE TO TERMINAL MARKED "H"

ALWAYS CONNECT THE CONTROL COMMON TO TERMINAL MARKED "C"

IMPORTANT:

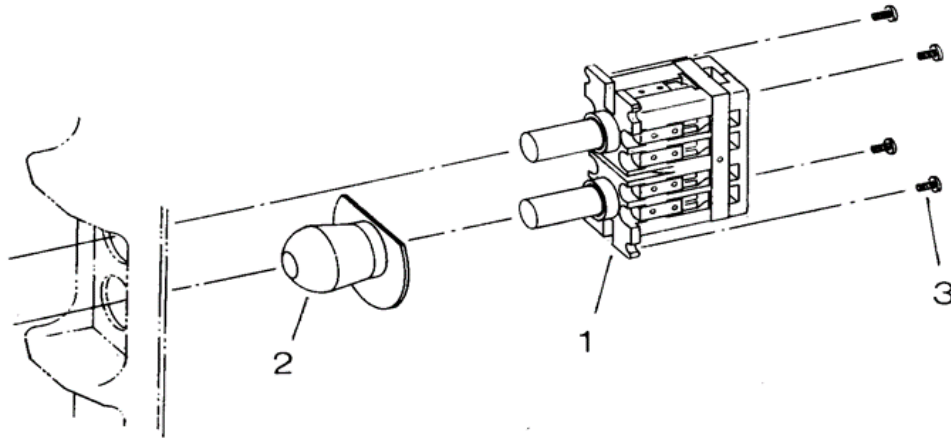
NOTE THAT BUTTON CONTROLS CONTACT AT OPPOSITE END OF SWITCH. BE SURE HOIST CONNECTIONS ARE CORRECT.

SPOTTER C SERIES 3-5 SPEED CUMULATIVE AC SWITCH



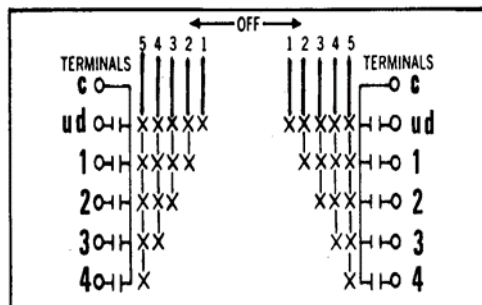
REF NO.	PART NO.	DESCRIPTION	QTY REQUIRED	Price
1	SW-151-5	MULTIPLE SPEED INSERT 5-STEP MAXIMUM 6 AMPS CONTINOUS, 8 AMPS INTERMITENT, 125V AC, 250V MAXIMUM	1	\$75.00
1	SW-151-5B	MULTIPLE SPEED INSERT 5-STEP MAXIMUM 6-AMPS CONTINOUS, 8 AMPS INTERMITENT, 125V AC, 250 V MAXIMUM (WITH MECHANICAL INTERLOCK)	1	\$87.00
2,6	C-161	ATTACH LUG W/NUT	2	Included with switch
5	MS-8321500	NAMEPLATE ATTACH SCREW	2	Included with switch
3	BC-102B	PROTECTIVE BOOT	2	\$4.00

SPOTTER C SERIES HEAVY DUTY CUMLATIVE AC/DC 3-5 SPEED SWITCH



REF. NO.	PART NO.	DESCRIPTION	QUANTITY PER UNIT	UNIT PRICE
1	SW-5	MULTIPLE SPEED SWITCH THREE TO FIVE STEP	1	\$450.00
2	BC-102	BOOT	2	\$4.00
3	SW-22	MOUNTING SCREW	4	\$0.10

Rated 120V - 15A AC, 230V - 3A DC.





Purchase Cable, Cord Grip and Warning Label with any Pendant and we will pre-wire cable to pendant for additional \$35.00

OSHA Required Warning Label \$7.00



Round Pendant Cable with External Strain Relief

Cable 08-16SR	8 Conductor #16	.465" OD PROX.	\$3.25/ ft.
Cable 12-16SR	12 Conductor #16	.55" OD PROX.	\$3.50/ ft.
Cable 16-16SR	16 Conductor #16	.605 OD PROX.	\$4.30/ ft.
Cable 24-16SR	24 Conductor #16	.745 OD PROX.	\$6.50/ ft.

Standard Cord Grips Cable Diameter Range

CG-138	.375 - .500	\$11.70
CG-150	.500 - .625	\$11.70
CG-163	.625 - .750	\$11.70
CG-175	.750 - .875	\$13.55
CG-188	.875 - 1.0	\$13.55

Kellem's Grips with Wire Mesh Strain Relief

Kellems-019	.500-.619	\$84.00
Kellems-021	.620-.749	\$84.00
Kellems-023	.750-.869	\$84.00
Kellems-025	.870-.999	\$84.00