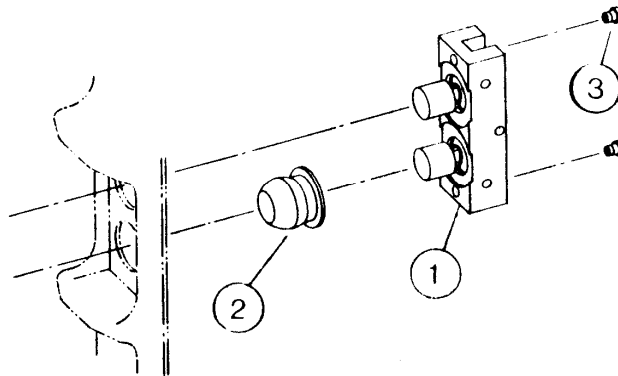
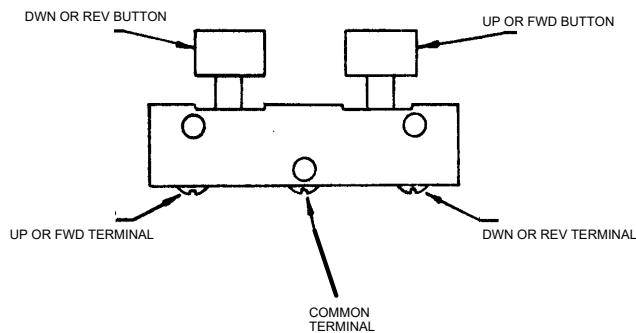


Price List: SW1
 Effective: 01/01/15
 Supersedes: 01/01/12

PUSHBUTTON
SINGLE SPEED
"C" SERIES



REF NO.	PART NO.	DESCRIPTION	QTY PER UNIT
1	SW-1	SINGLE SPEED INSERT	1
2	BC-101	PROTECTIVE BOOT	2
3	SW-20	MOUNTING SCREW	2



IMPORTANT: NOTE THAT BUTTON CONTROLS CONTACT AT OPPOSITE END OF SWITCH.
 BE SURE HOIST CONNECTIONS ARE CORRECT.
 Rated 120V - 10A AC.

Stainless steel contacts, high-density PVC body and push buttons.
 Design provides positive interlocking without the necessity for jumper wires.