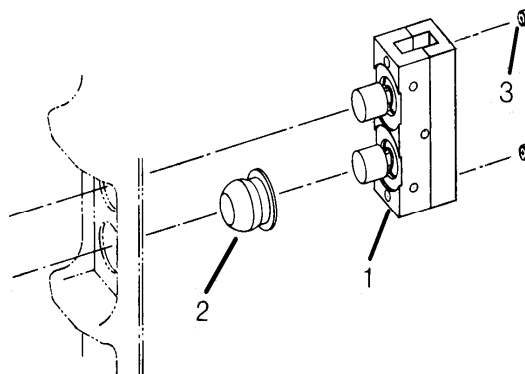


Price List: SW2
 Effective: 01/01/13
 Supercedes: 01/01/15

TWO SPEED PUSHBUTTON "C" SERIES



REF NO.	PART NO.	DESCRIPTION	QTY PER UNIT
1	SW-2	TWO SPEED INSERT	1
2	BC-101	PROTECTIVE BOOT	2
3	SW-20	MOUNTING SCREW	2

RATED 120V - 10 A AC.

Similar to single speed switch, but with added two speed contacts.
 Switch operation is either "break-before-make" or "accumulating" second speed control.

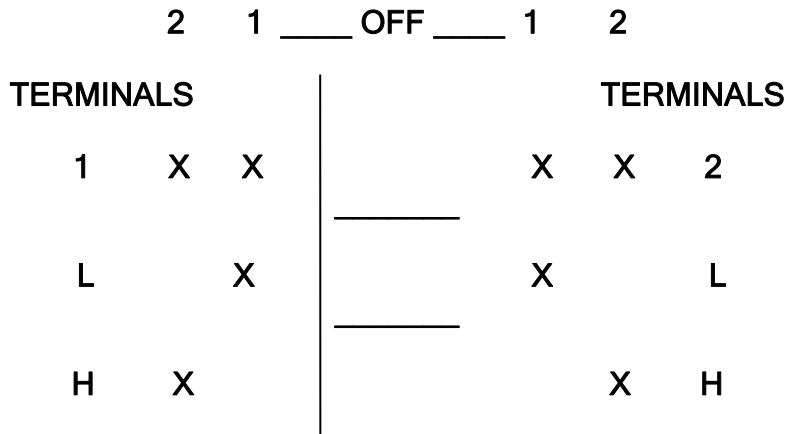
NOTE: FOR WIRING INSTRUCTIONS - SEE TWO SPEED SWITCH CONNECTION INSTRUCTIONS DATED 1-18-78.



SW-2

TWO SPEED SWITCH

SPEED POSITION



CONTACT "L" BREAKS BEFORE "H" MAKES.

CONTACTS "1" OR "2" AND "H" ACCUMULATE.

INSTRUCTIONS:

◆ UNITS WIRED FOR ACCUMULATING CONTACTS
 CONNECT FWD (UP) TO THE TERMINAL MARKED "1"
 CONNECT REV (DWN) TO THE TERMINAL MARKED "2"
 CONNECT SECOND SPEED WIRE TO TERMINAL MARKED "H"

◆ UNITS WIRED FOR "BREAK BEFORE MAKE"
 CONNECT FWD (UP) TO THE TERMINAL MARKED "1"
 CONNECT REV (DWN) TO THE TERMINAL MARKED "2"
 CONNECT LOW SPEED WIRE TO TERMINAL MARKED "L"
 CONNECT HIGH SPEED WIRE TO TERMINAL MARKED "H"

ALWAYS CONNECT THE CONTROL COMMON TO TERMINAL MARKED "C"

IMPORTANT: NOTE THAT BUTTON CONTROLS CONTACT AT OPPOSITE END OF SWITCH. BE SURE HOIST CONNECTIONS ARE CORRECT.

ELECTRICAL RATING: 120V AC 10 AMPS.