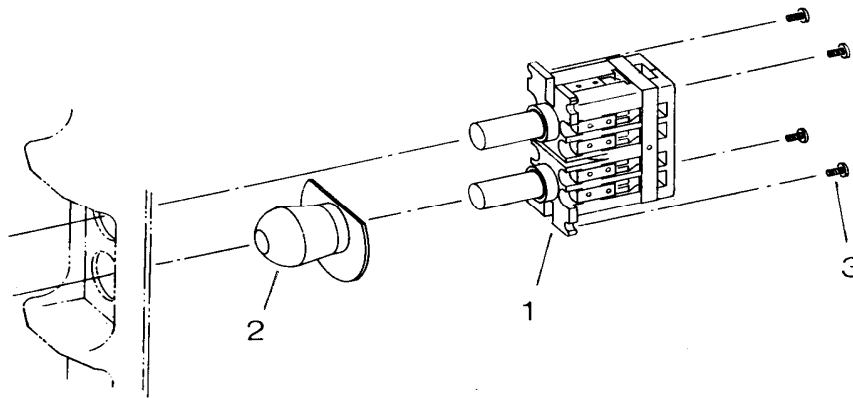


Price List: SW5
 Effective: 01/01/15
 Supersedes: 01/01/12

SPOTTER "C" SERIES MULTIPLE SPEED PUSH-BUTTON 5-STEP MAXIMUM



| REF. NO. | PART NO. | DESCRIPTION | QUANTITY PER UNIT | UNIT PRICE |
|----------|----------|---|-------------------|------------|
| 1 | SW-5 | MULTIPLE SPEED SWITCH THREE TO FIVE STEP | 1 | 467.00 |
| 2 | BC-102 | BOOT | 2 | 4.00 |
| 3 | SW-22 | MOUNTING SCREW | 4 | .10 |

Rated 120V - 15A AC, 230V - 3A DC.

Heavy-duty sequential switch with positive interlock. Contacts are silver plated, and arranged to avoid the "common" being conducted through one contact only.

