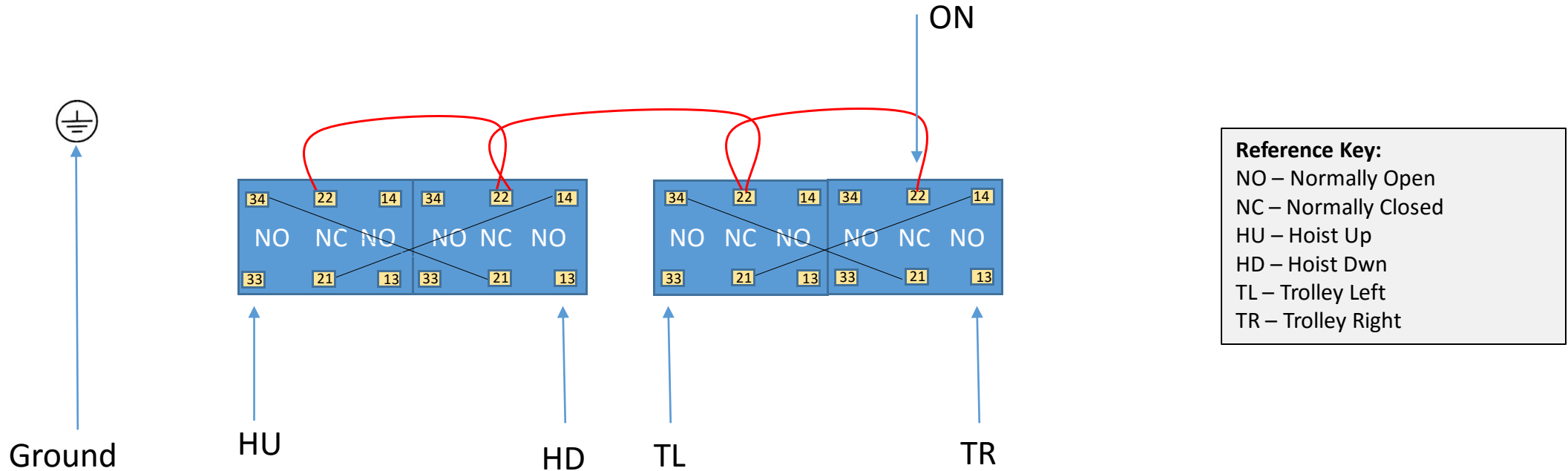


SPOTTER Mini 4 Button Pendant All Single Speed

- Common Prewired – for ONE X1 – Remove Jumpers if connecting an HX1
- Electrical Interlock Prewired



— Typical Cable Connections BY CUSTOMER



Always provide for proper grounding! Serious injury or death can result from improper grounding and/or incorrect ground fault protection for this equipment.



This document is provided only as a reference. Only qualified personnel should work on this equipment.