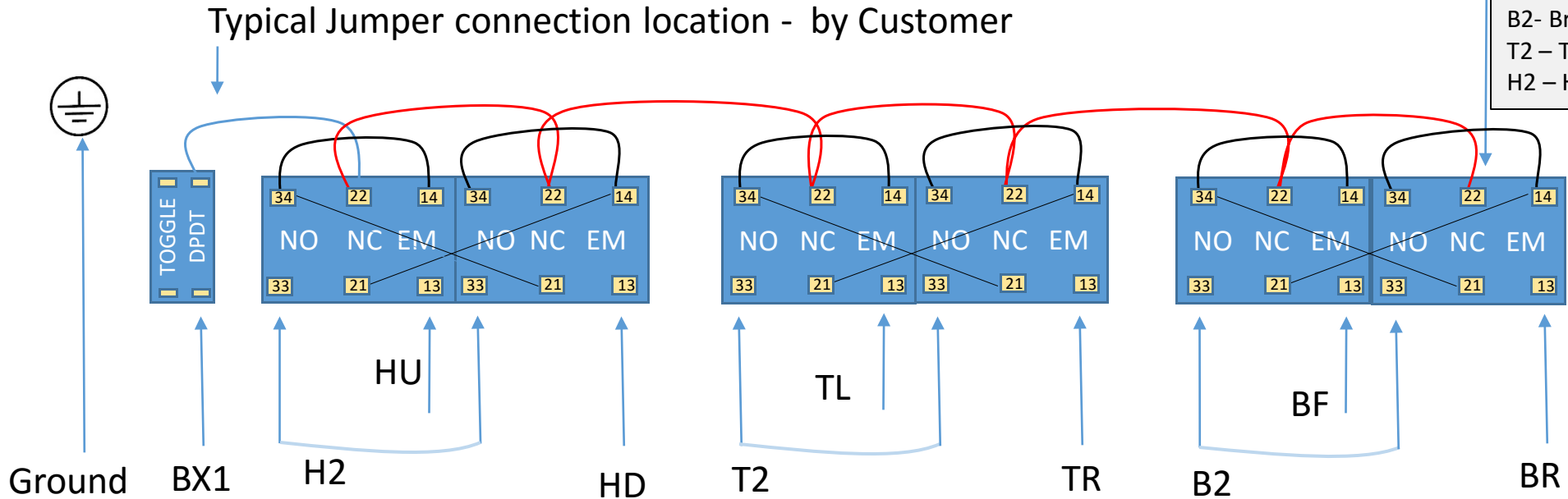


SPOTTER 6 Button Pendant All Two Speed with Toggle On/Off

Reference Key:
 NO – Normally Open
 NC – Normally Closed
 EM – Normally Open Early Make
 TL – Trolley Left
 TR – Trolley Right
 BF – Bridge Forward
 BR – Bridge Reverse
 B2- Bridge Second Speed
 T2 – Trolley Second Speed
 H2 – Hoist Second Speed

— Common Prewired – for ONE X1 – Remove Jumpers if connecting an HX1
— Electrical Interlock Prewired



— Typical Customer Cable/Jumper connection locations – by customer.



Always provide for proper grounding! Serious injury or death can result from improper grounding and/or incorrect ground fault protection for this equipment.



This document is provided only as a reference. Only qualified personnel should work on this equipment.